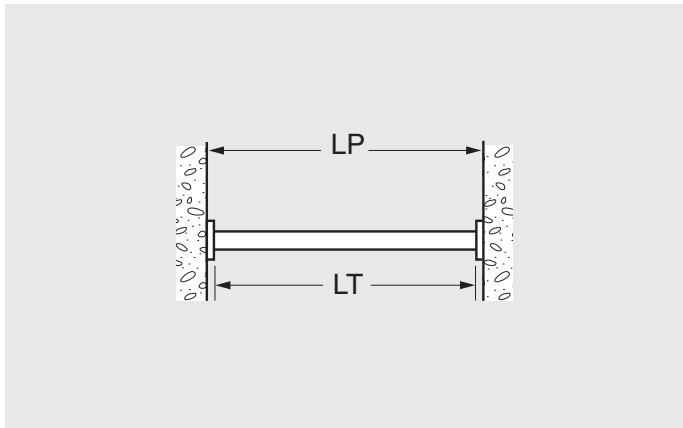


TAKING MEASUREMENTS FOR THE CORRECT INSTALLATION OF THE UPPER RAIL

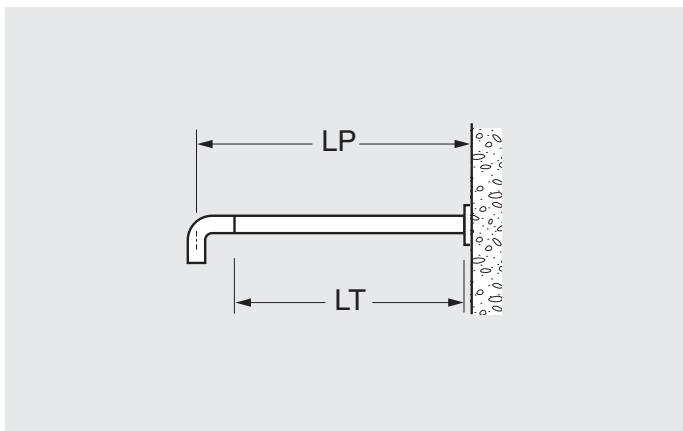
WALL/WALL CONNECTION WITH ART. 555 AND 555/S



LP = Distance from wall to wall
 LT = Length of the tube to be cut

$LT = LP - 20 \text{ mm}$

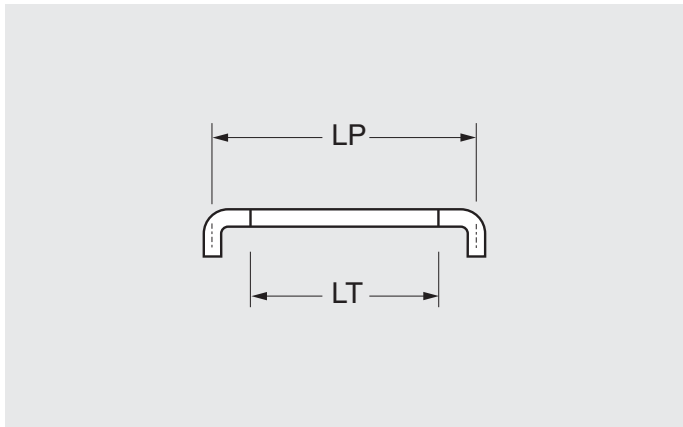
ELBOW CONNECTION WITH ROSE AND BEND



LP = Distance from wall to the end of the cabin (c/c size)
 LT = Length of the tube to be cut

$LT = LP - 92 \text{ mm}$

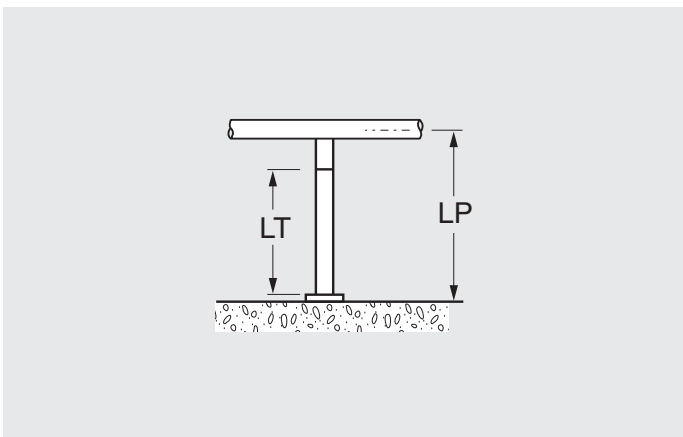
ELBOW CONNECTION WITH BENDS



LP = Distance from begin to end of the cabin (c/c size)
 LT = Length of the tube to be cut

$LT = LP - 164 \text{ mm}$

CONNECTION WALL ROSE AND T-JOINT



LP = Distance from wall to upper rail (c/c size)
 LT = Length of the tube to be cut

$LT = LP - 93 \text{ mm}$