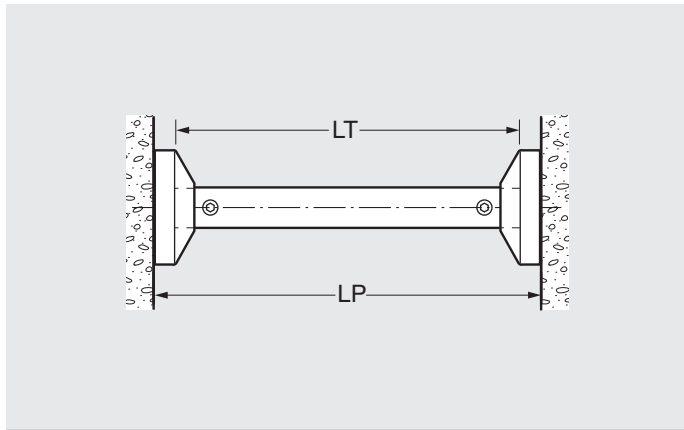


TAKING MEASUREMENTS FOR THE CORRECT INSTALLATION OF THE UPPER RAIL

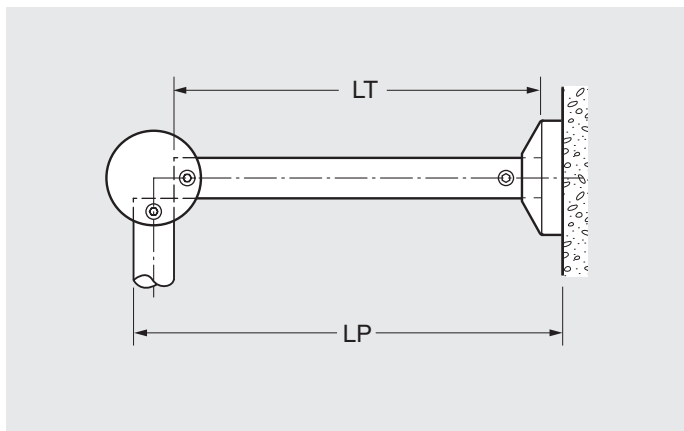
WALL/WALL CONNECTION WITH ART. 555-SS AND 555/S-SS



LP = Distance from wall to wall
 LT = Length of the tube to be cut

$LT = LP - 20 \text{ mm}$

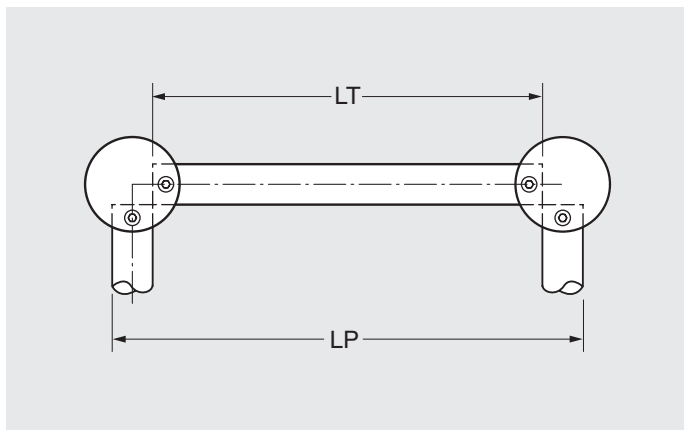
ELBOW CONNECTION WITH ROSE AND BEND



LP = Distance from wall to the end of the rail
 LT = Length of the tube to be cut

$LT = LP - 32 \text{ mm}$

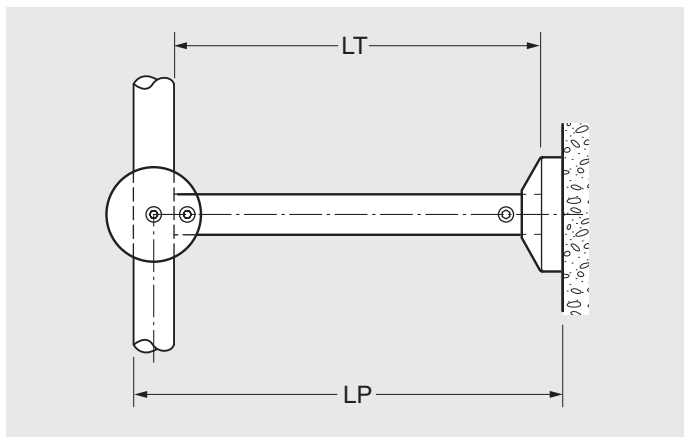
ELBOW CONNECTION WITH BENDS



LP = Distance between the rails
 LT = Length of the tube to be cut

$LT = LP - 44 \text{ mm}$

CONNECTION WALL ROSE AND T-JOINT



LP = Distance from wall to rail
 LT = Length of the tube to be cut

$LT = LP - 32 \text{ mm}$